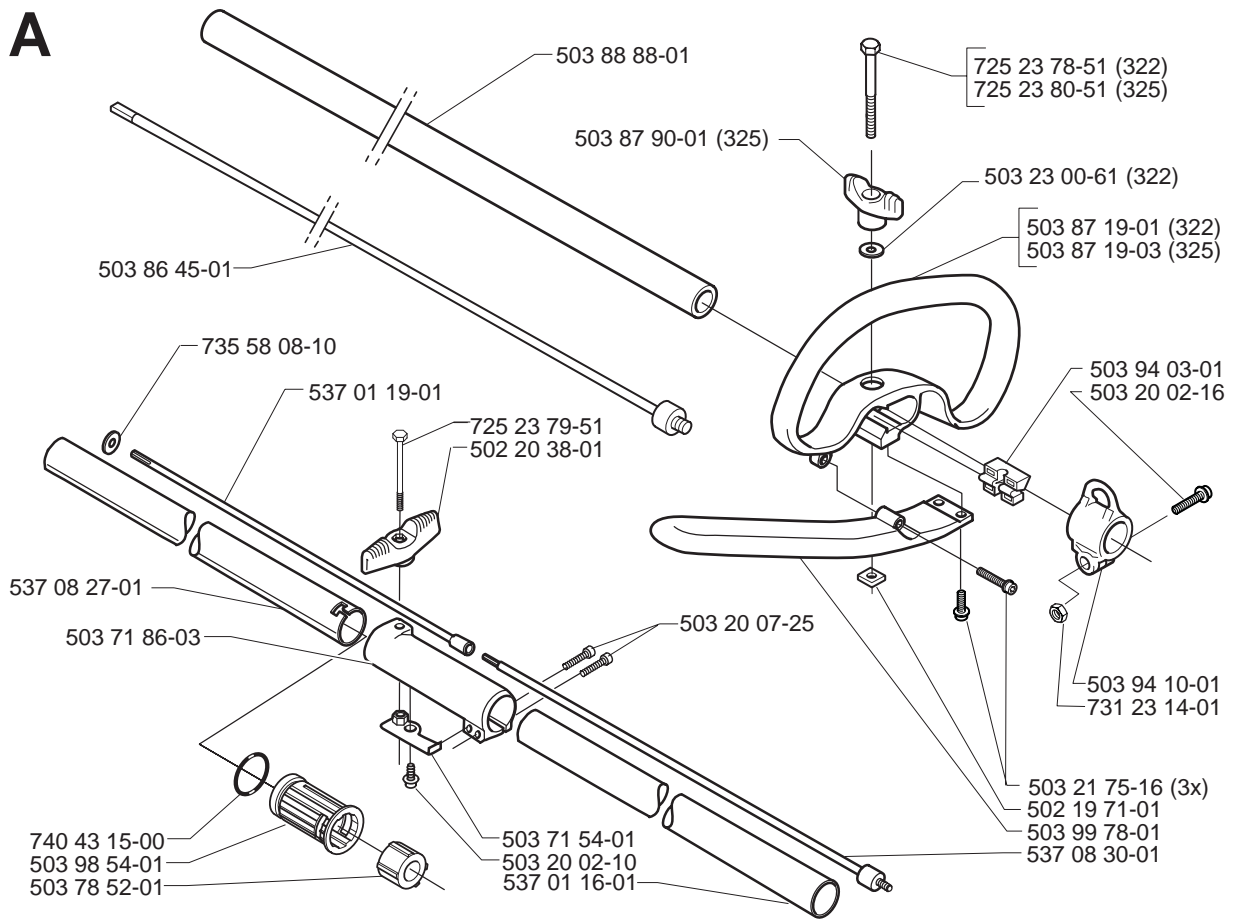
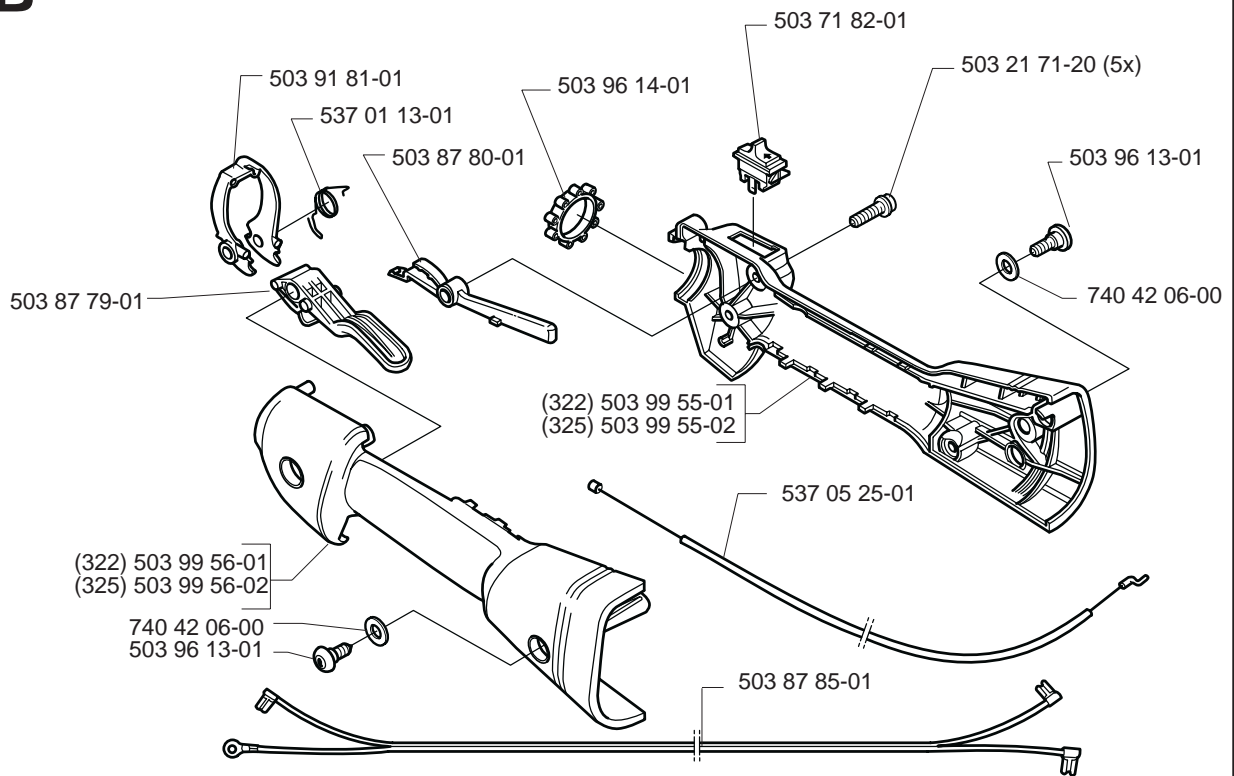
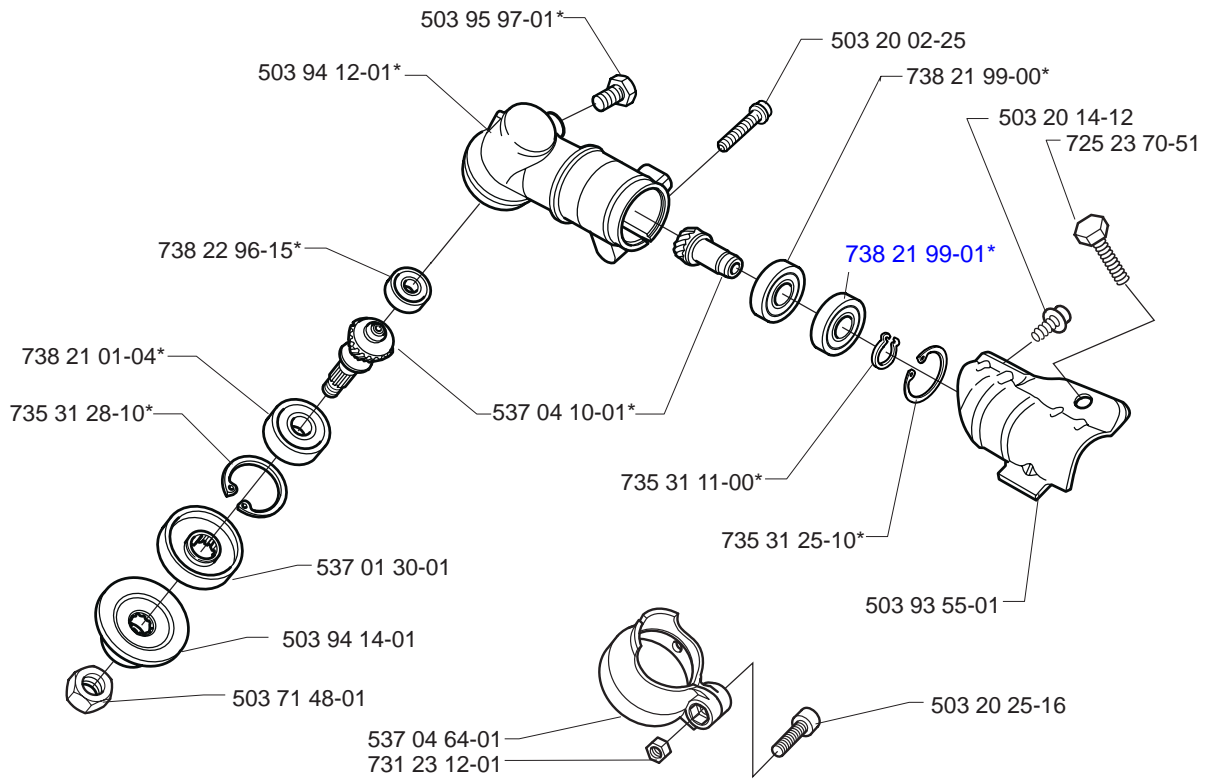
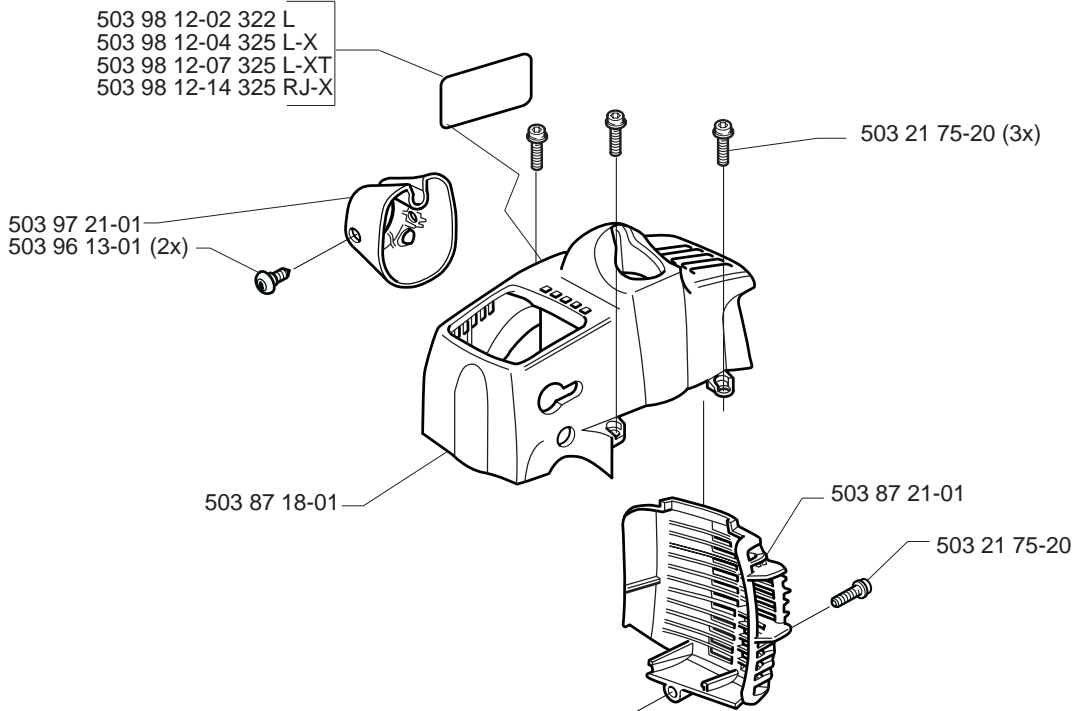
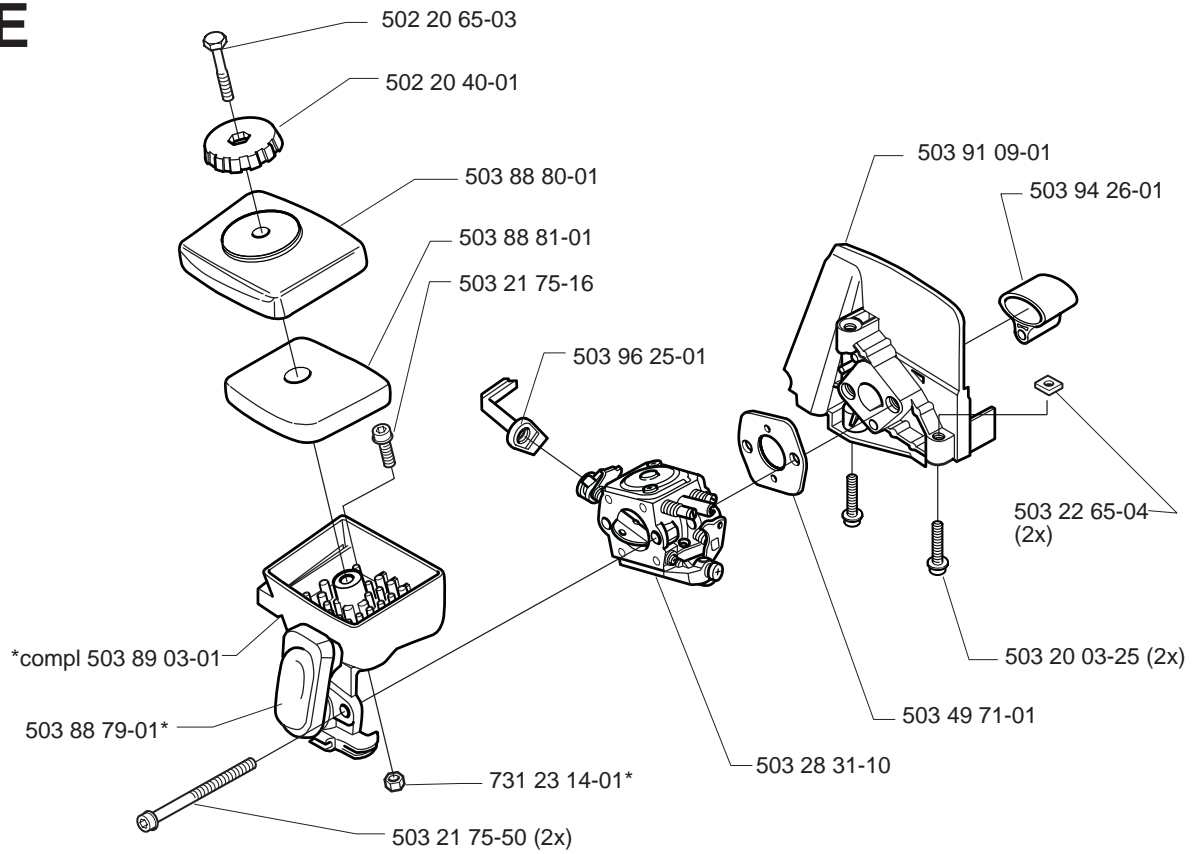
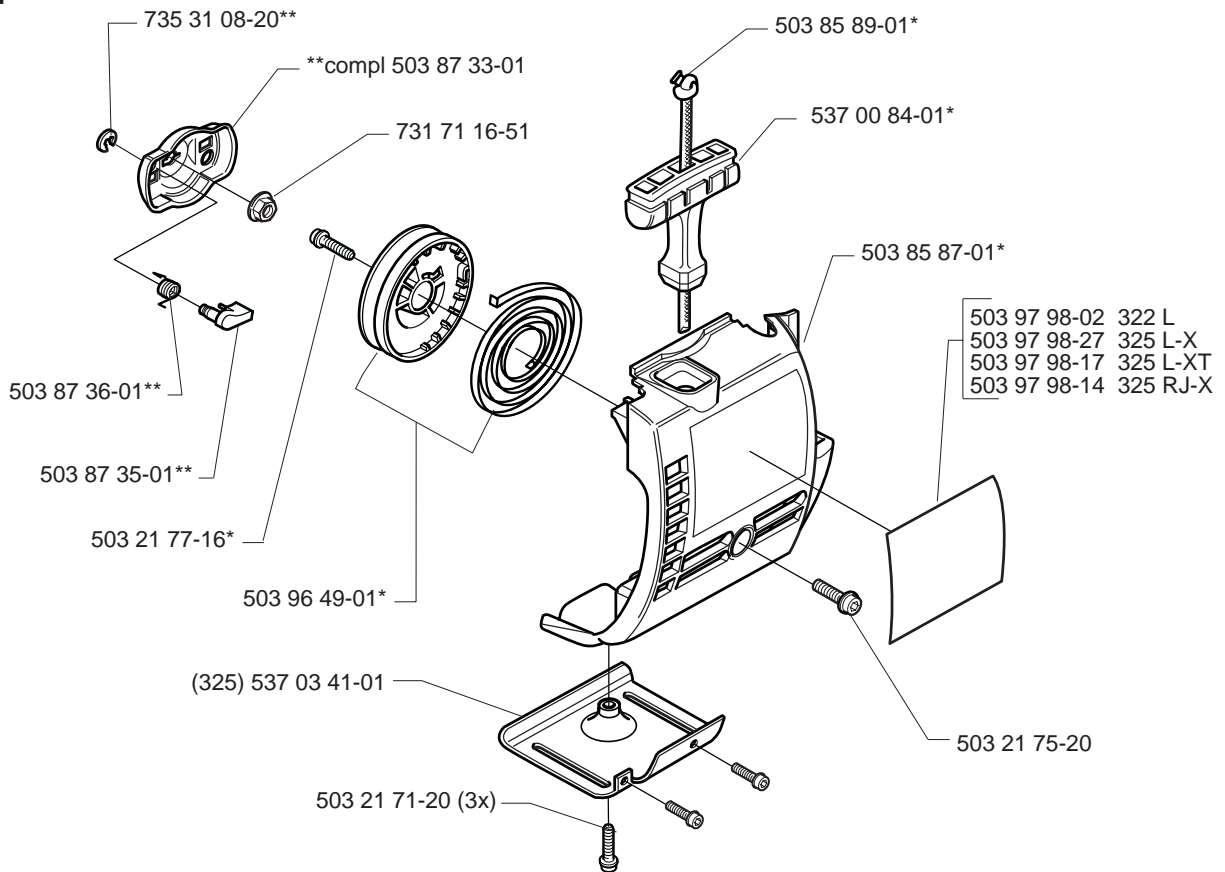
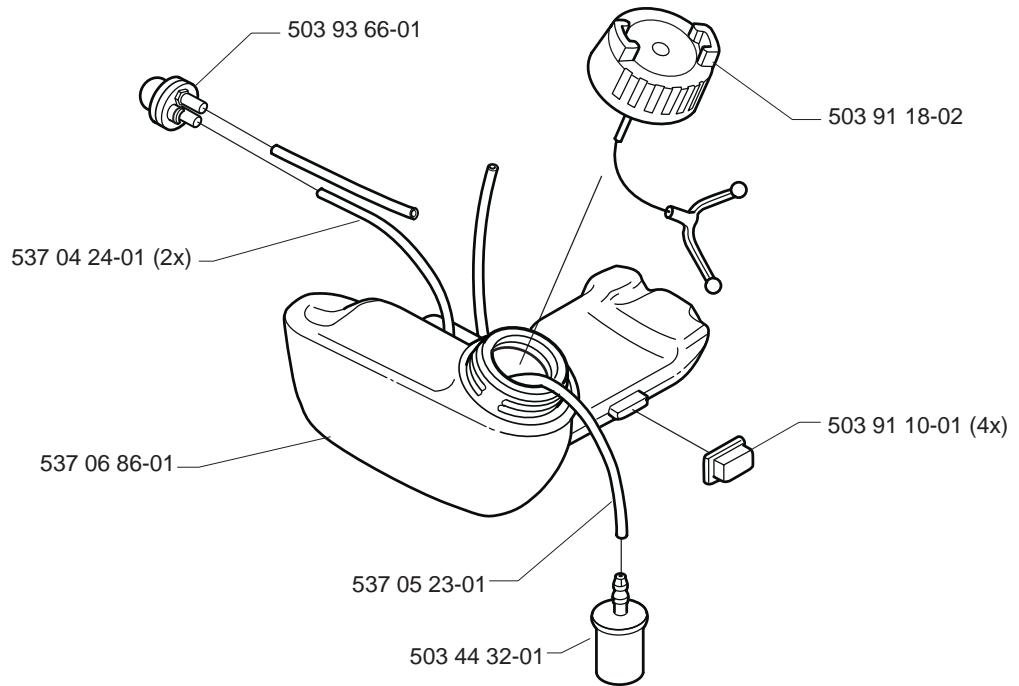


A**B**

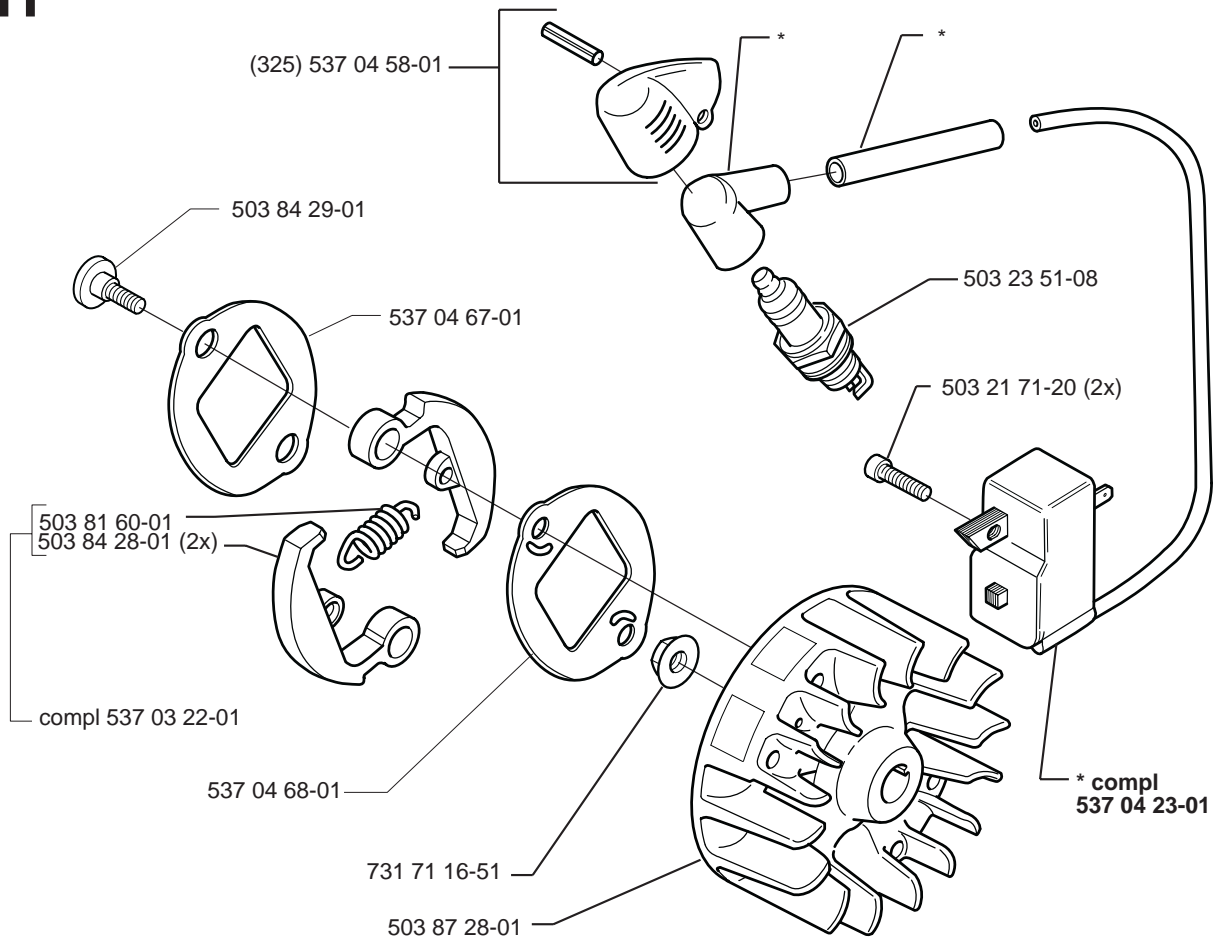
C***compl 503 94 11-01****D**

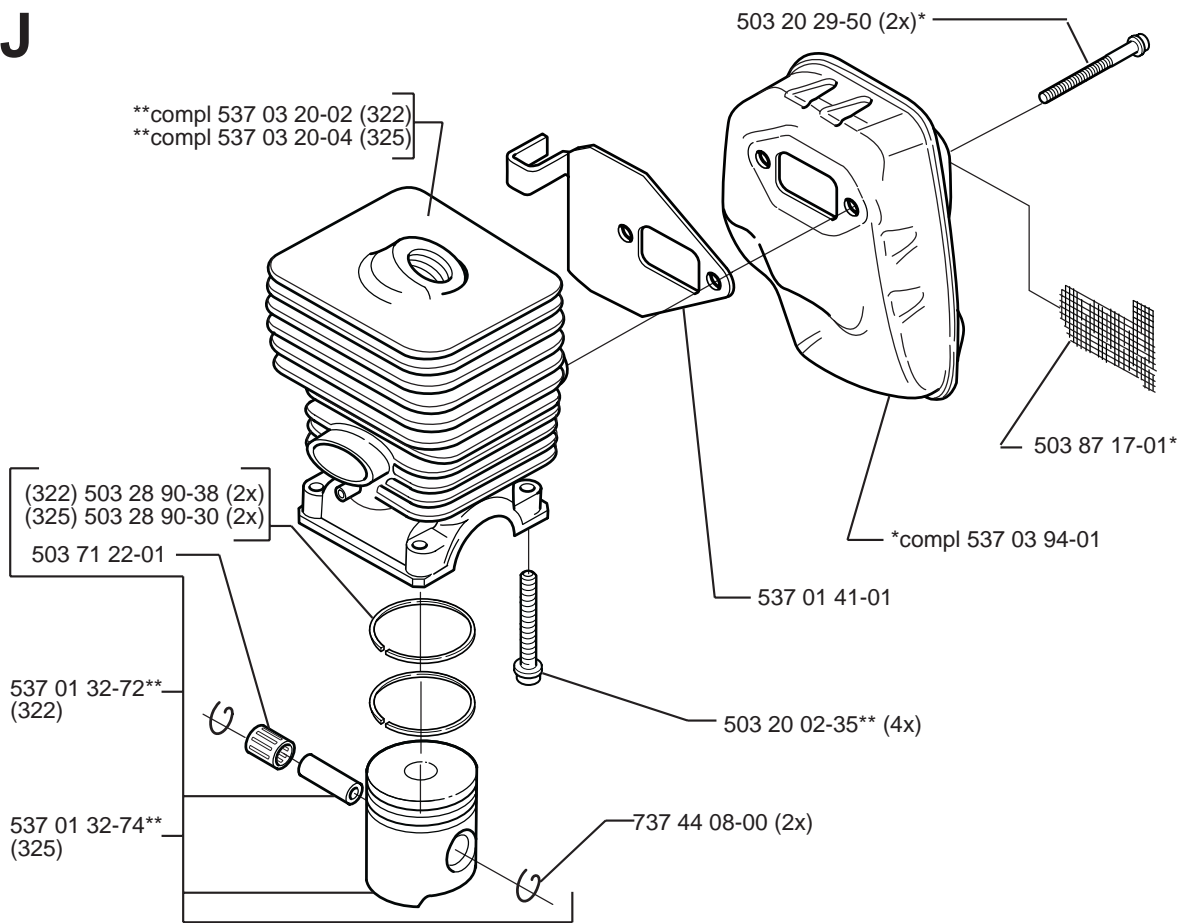
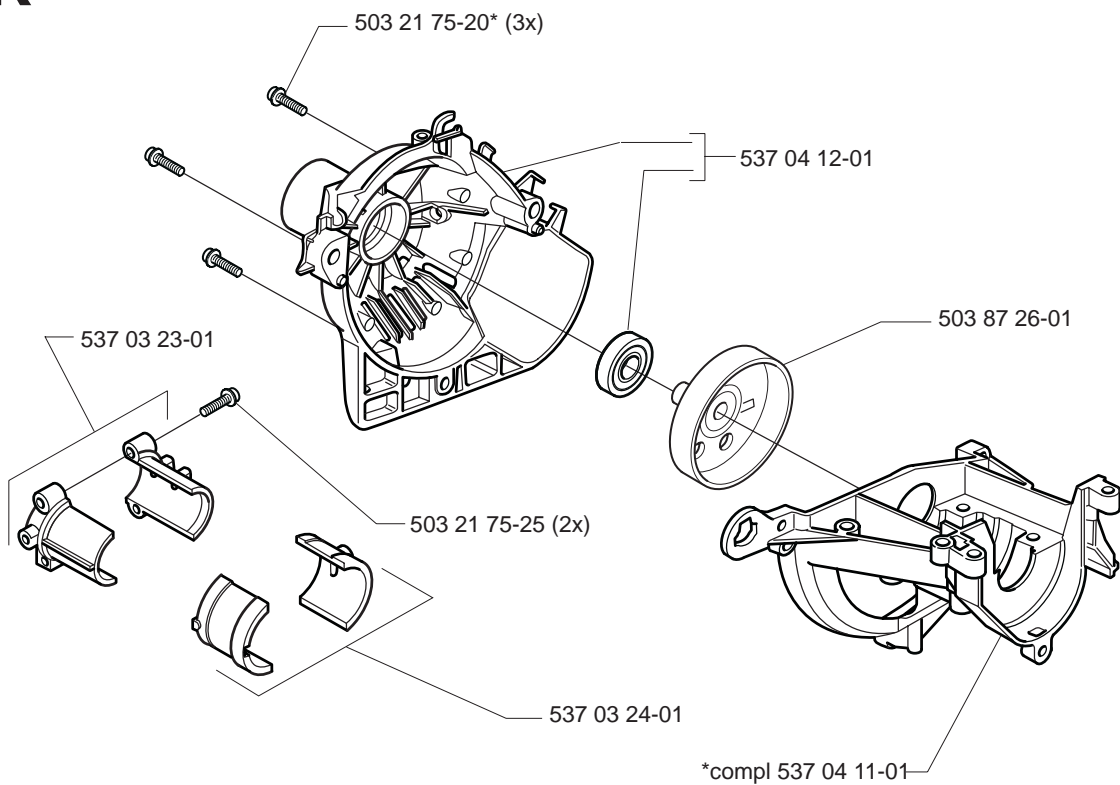
E**F**

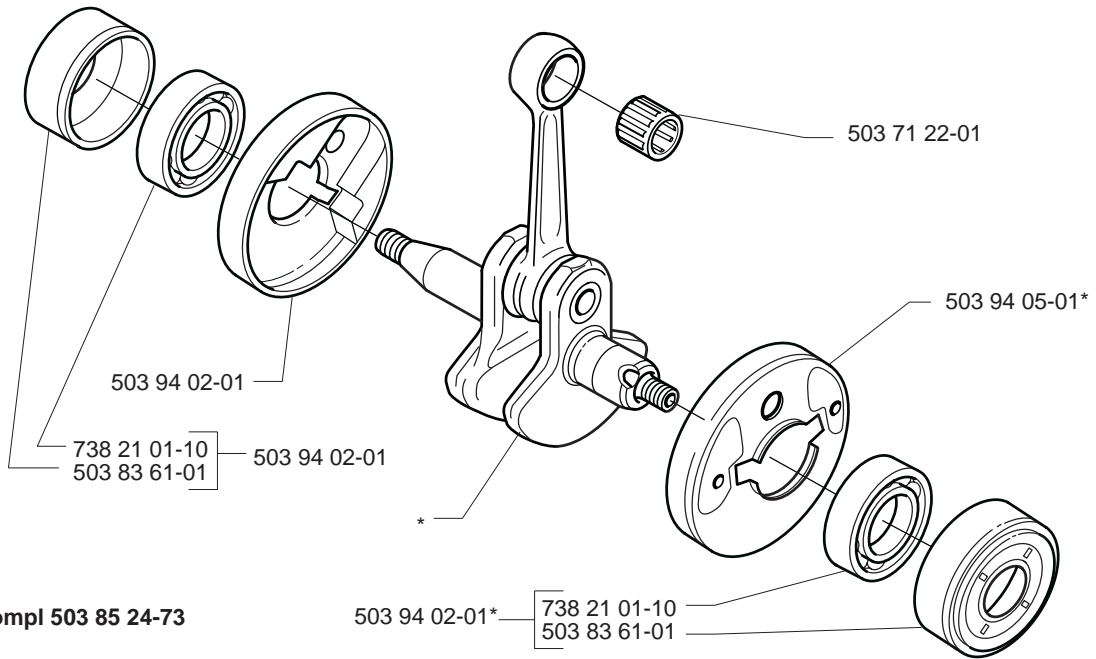
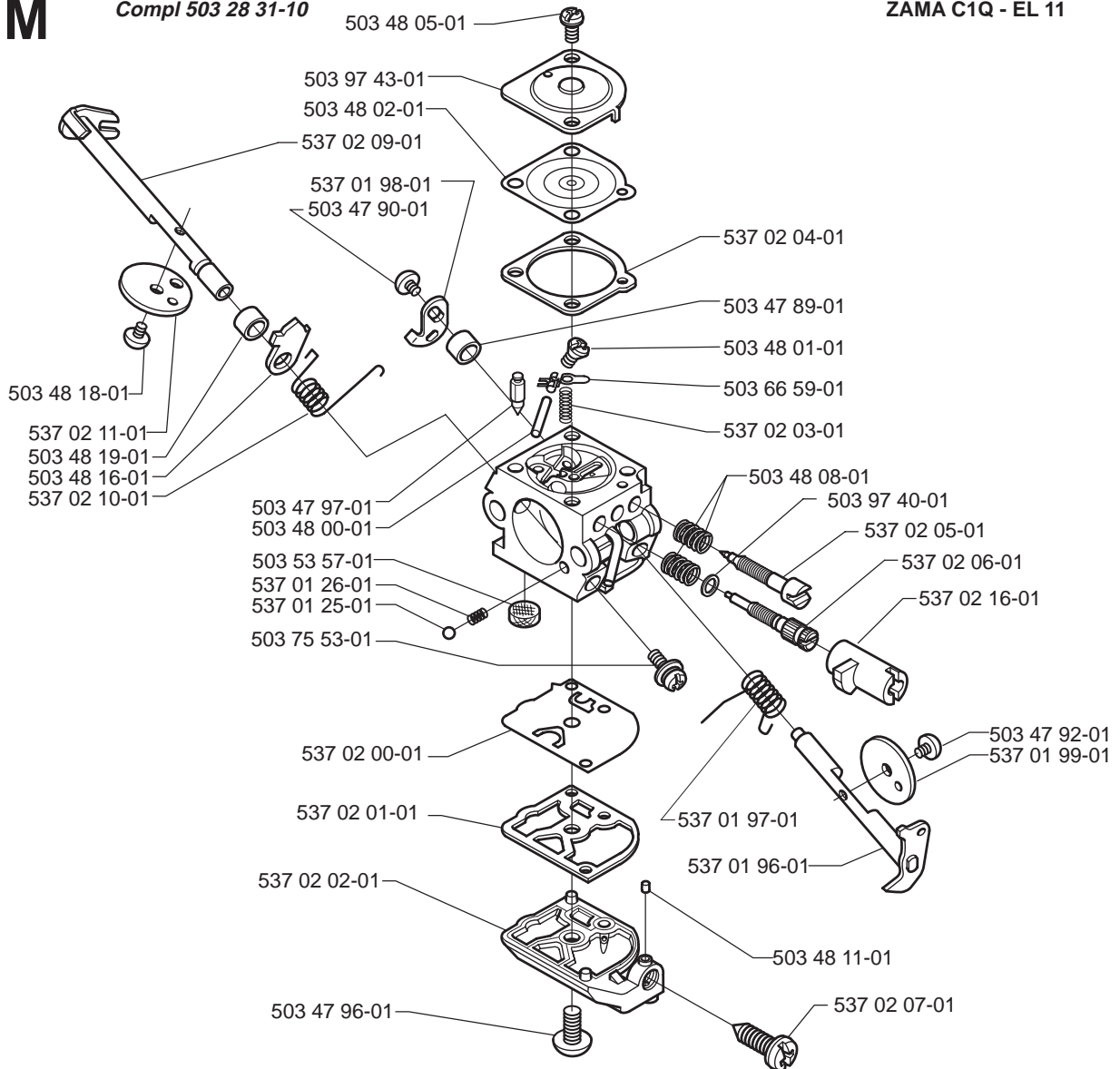
G



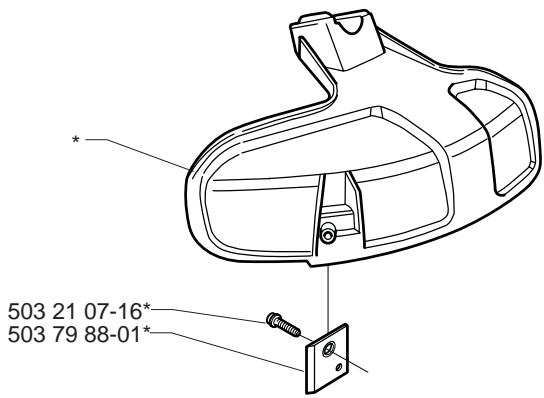
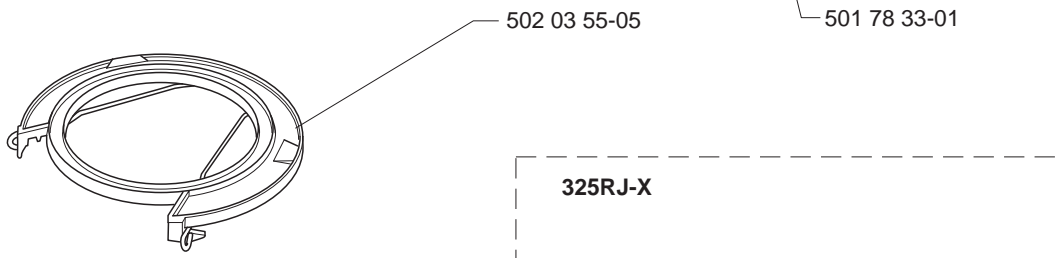
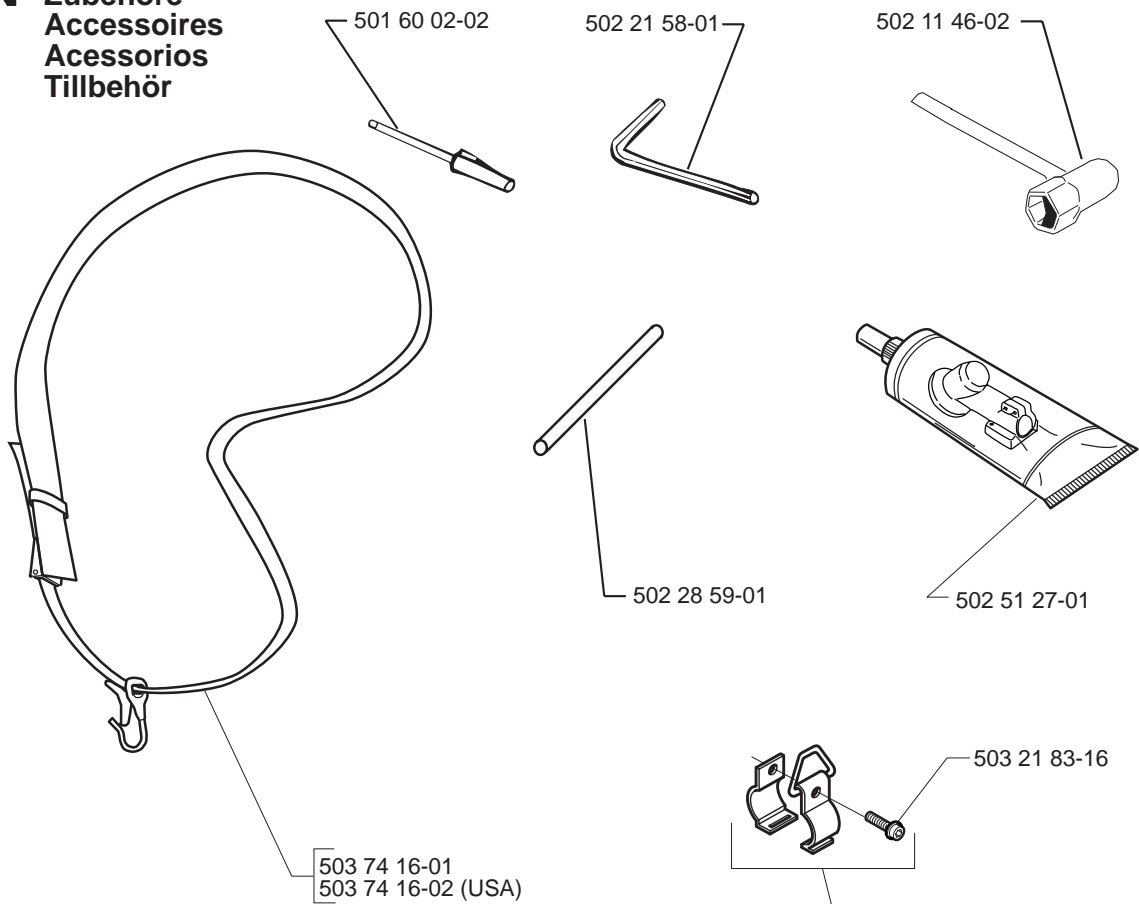
H



J**K**

L**M***Compl 503 28 31-10***ZAMA C1Q - EL 11**

N Accessories
 Zubehöre
 Accessoires
 Acessorios
 Tillbehör



*compl 503 97 71-01

